



24" Fully-Automatic Tyre Changer

The TC320 Plus is designed to ensure optimal efficiency with every tyre change, with a three point assist arm for lifting and depressing of the bead, the equipment is designed to limit potential damage to alloy wheels.

It has a time-efficient tilt arm design, 3-position clamping jaws (see below) and power assist arm, making easy work of run-flat tyres. The front access panel makes for easy servicing while the optional motorcycle adaptors (jaws, mounting head and bead breaker blade) mean this tyre changer is up to any task.

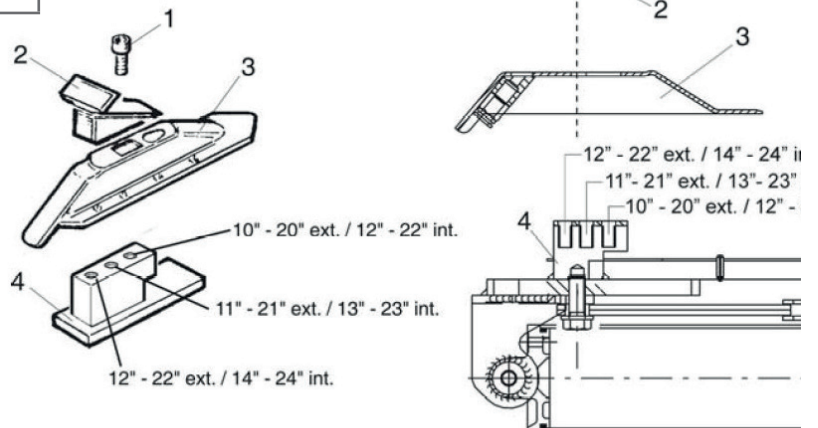
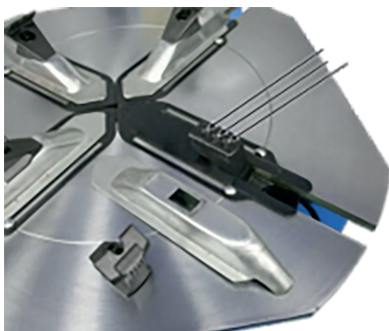
Optional Extras:

- Motorcycle Adapters
- Leverless Mounting Head



Rim Clamping Range External	10" - 22"
Rim Clamping Range Internal	12" - 24"
Max. Tyre Diameter	1,000mm (39")
Max. Tyre Width	330mm (13")
Bead Breaker Cylinder Force at 10 Bar	3,000 kg
Inflating Pressure Device Max	3.5 bar (50 psi)
Motor Power:	0.75 220v 1ph
Rotating Speed	7 rpm

3-Position Clamping Jaws



DIMENSIONS SHOWN OVERLEAF..



ATLAS

Automotive Equipment

TC320 Plus

Dimensions

