



ATLAS
Automotive Equipment

TC220

24" Semi-Automatic Tyre Changer



A space-saving swing arm & 4 powerful pneumatic clamping jaws make the TC220 a favourite in tyre shops where space may not be available, but the best tyre fitting can't be compromised.

Ergonomically placed pedal controls make for easy use while a 13-amp power supply and 8-10 Bar compressed air supply is all that is needed to get this machine up & running. Optional bead press arm available.

Rim clamping range external: 10" - 22"

Rim clamping range from internal: 12" - 24"

Max. tyre diameter: 1000 mm (39")

Max. tyre width: (355mm) (13")

Bead breaker Cylinder Force at 10 Bar: 3000kg

Operating pressure: 10 bar (145 Psi)

Motor power: 0.75 220V 1ph

Rotating speed: 7rpm

Pre-set tyre inflating pressure: 3,5 bar (50 Psi)

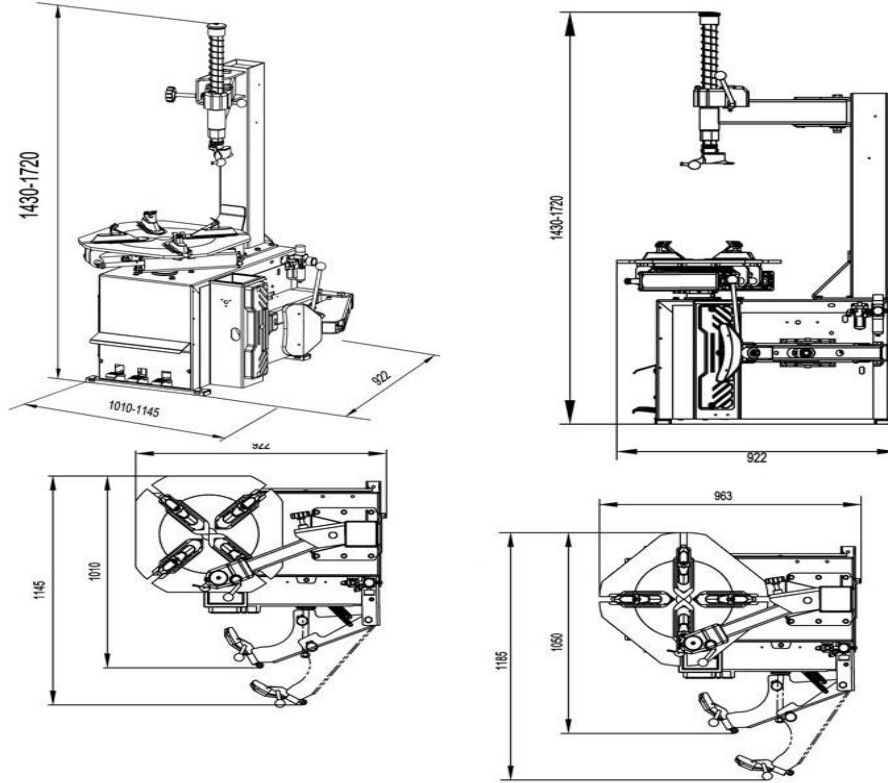
Net weight: 229kg

Requiring a standard 13-amp power supply and 8-10 Bar compressed air supply

Optional Extras: Motorcycle Adapters, Left Hand Assist Arm, Manual Bead Roller



TC220 without assist arm:



TC220 with assist arm:

